

Smaller and Smarter multi GNSS compass system

GNSS Compass KC-2000



KODEN

Advantage-KC2000-

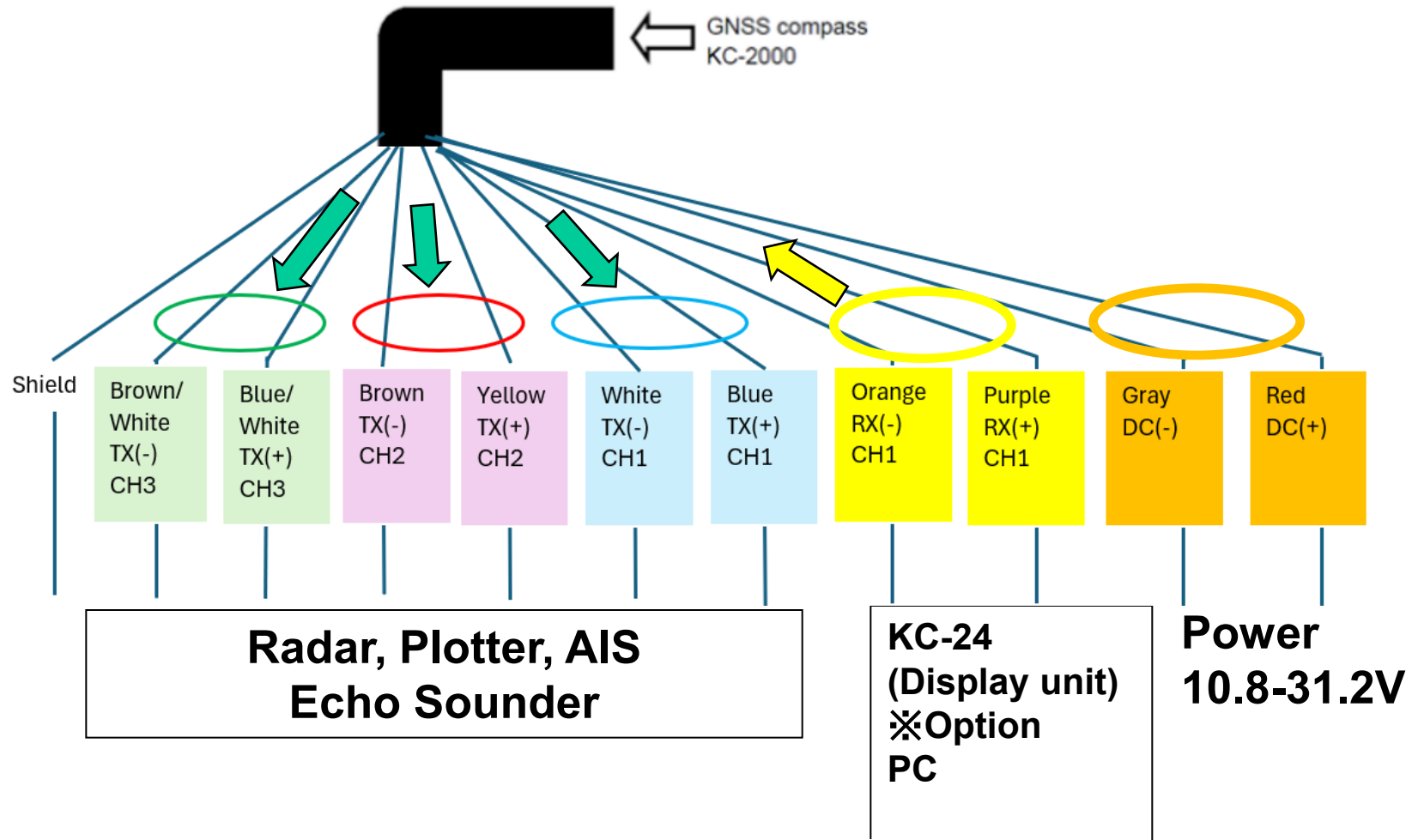


- Compatible with GPS/ QZSS, Galileo(EU),BeiDou(CHN), GLONASS
- High accurate heading, position, speed, rolling, pitching and heaving data
- SBAS(MSAS/ WAAS/ EGNOS) enabled
- 10,000 waypoints, 100 routes and 3,000 track points
- **GNSS Antena only Without Display (to save cost)**

Super compact antenna size can fit anywhere

Cable Assign (KC-2000)

CW-431-15M(Supplied as standard)

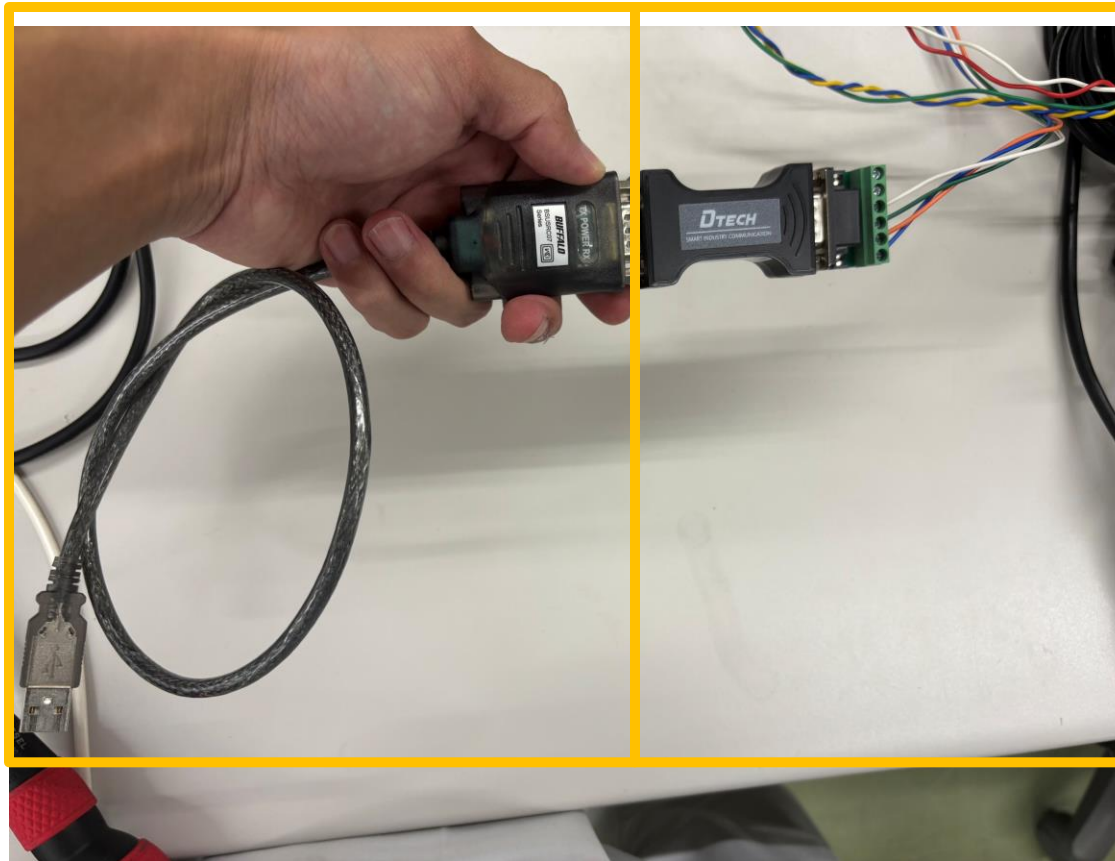


This is Connection Image(Auto Pilot, AIS, Tide meter available)

Connection image

(KC-2000 with JB-41 and KC-24)

CW-431-15M
(Supplied as standard)



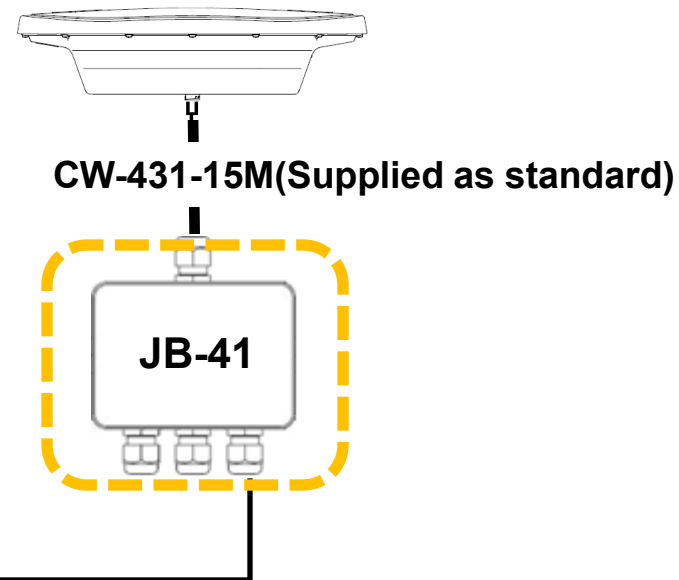
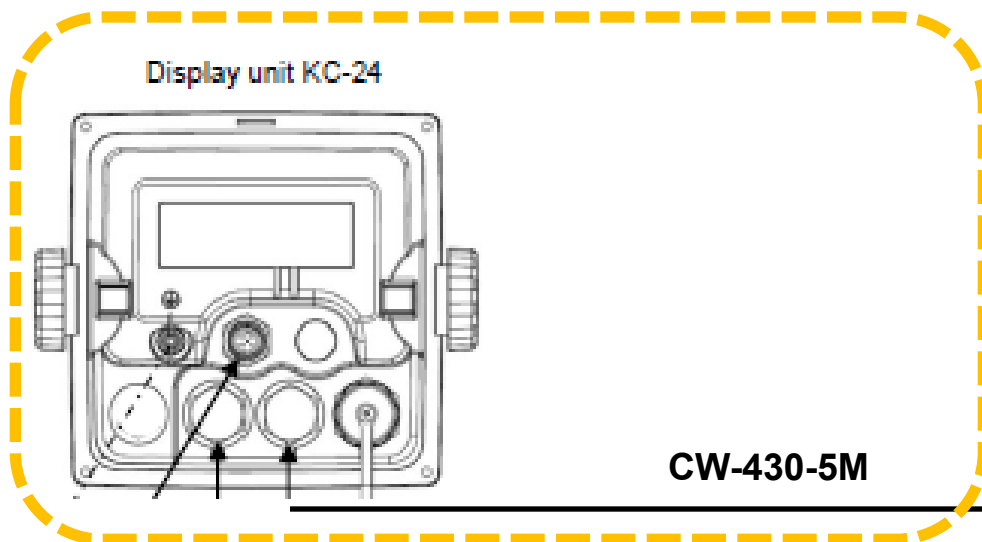
**Power supply
Is necessary.**

232-USB Conversion

422-232 conversion

Connection image (KC-2000 with JB-41 and KC-24)

※OPTION:KC-24 w/CW-430-5M



9: Interface	
1: Connector	= DATA
2: Initialize	= PLOTTER
3: Format	= NMEA 0183 Ver.2.0
4: Baud rate	= 4800
5: Talker ID	= GP
6: Sentence edit	

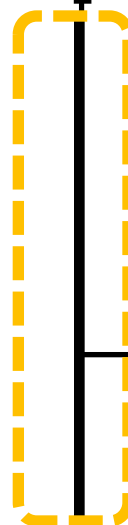
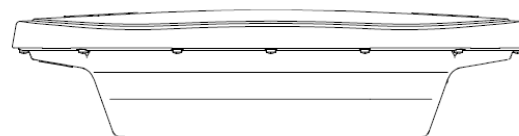
Interface set display
on KC-24

※OPTION
JB-41
JB-41を経由せず、
CW-431とCW-430の接続は可能

Connection to PC for Initial setting (KC-2000 w/CW-435 and PC)

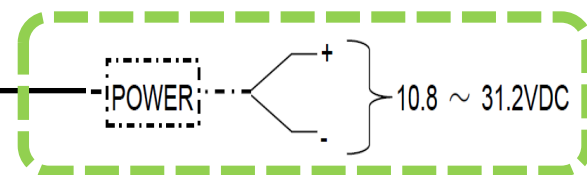
Initial setting

1:Connector	CH1			
2:Initialize				
3:Format	IEC61162-1 ed5			
4:Baud rate	38400			
5:Talker ID	GP			
6:Sentence edit	136 %			
ATT 0.1s	HDM 0s	HDT 0.1s	HVE 0s	ROT 0.1s
THS 0s	DTM 1s	GBS 1s	GNS 0s	GGA 1s
GLL 0s	GSA 1s	GSV 1s	RMC 0s	VTG 1s
ZDA 1s	HBT 0s	ALC 0s	PKODG21 0s	



※OPTION
CW-435

※Owner Supply



Operating PC
※Owner Supply

Connection image (KC-2000 with JB-41)

